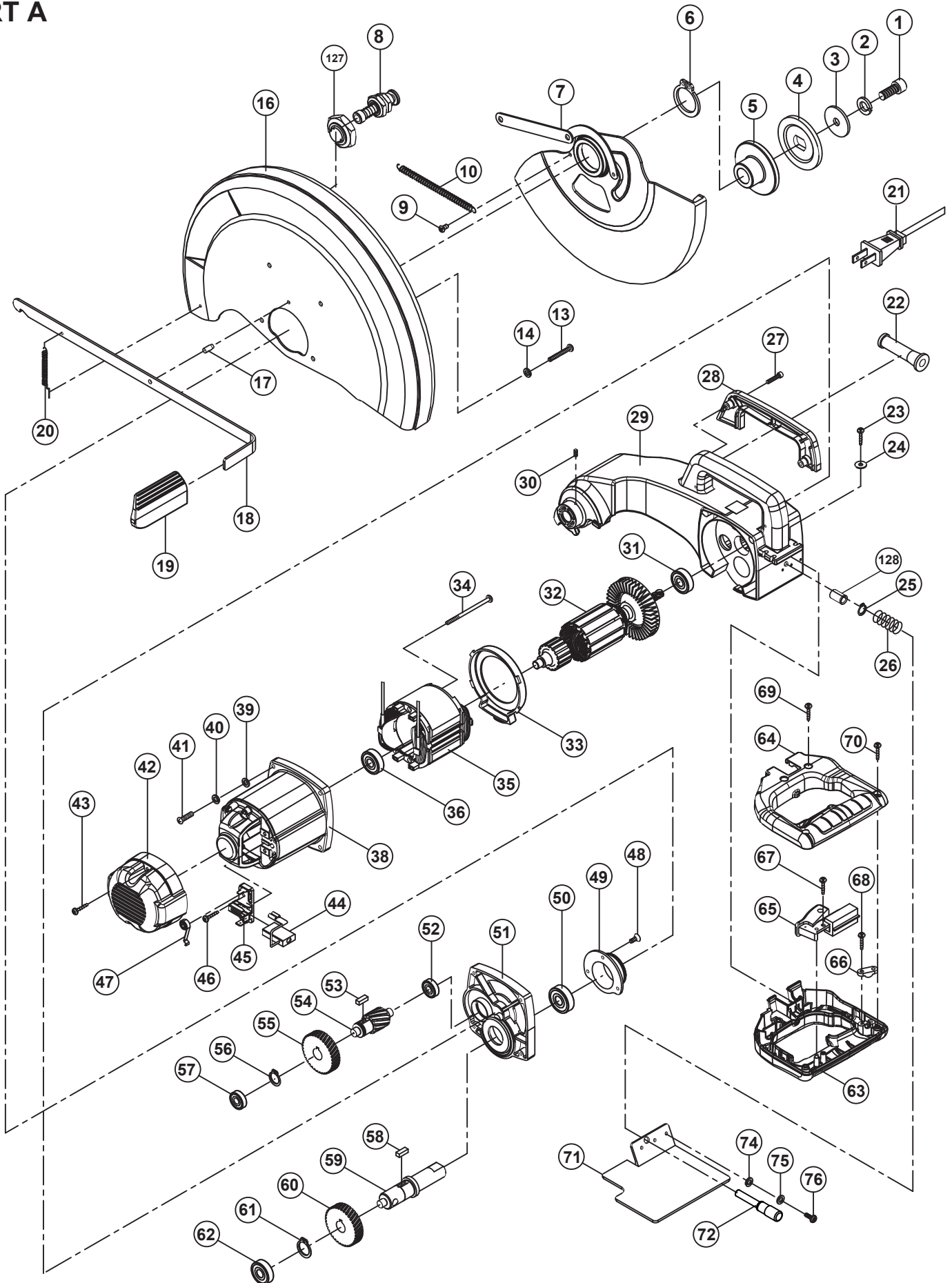


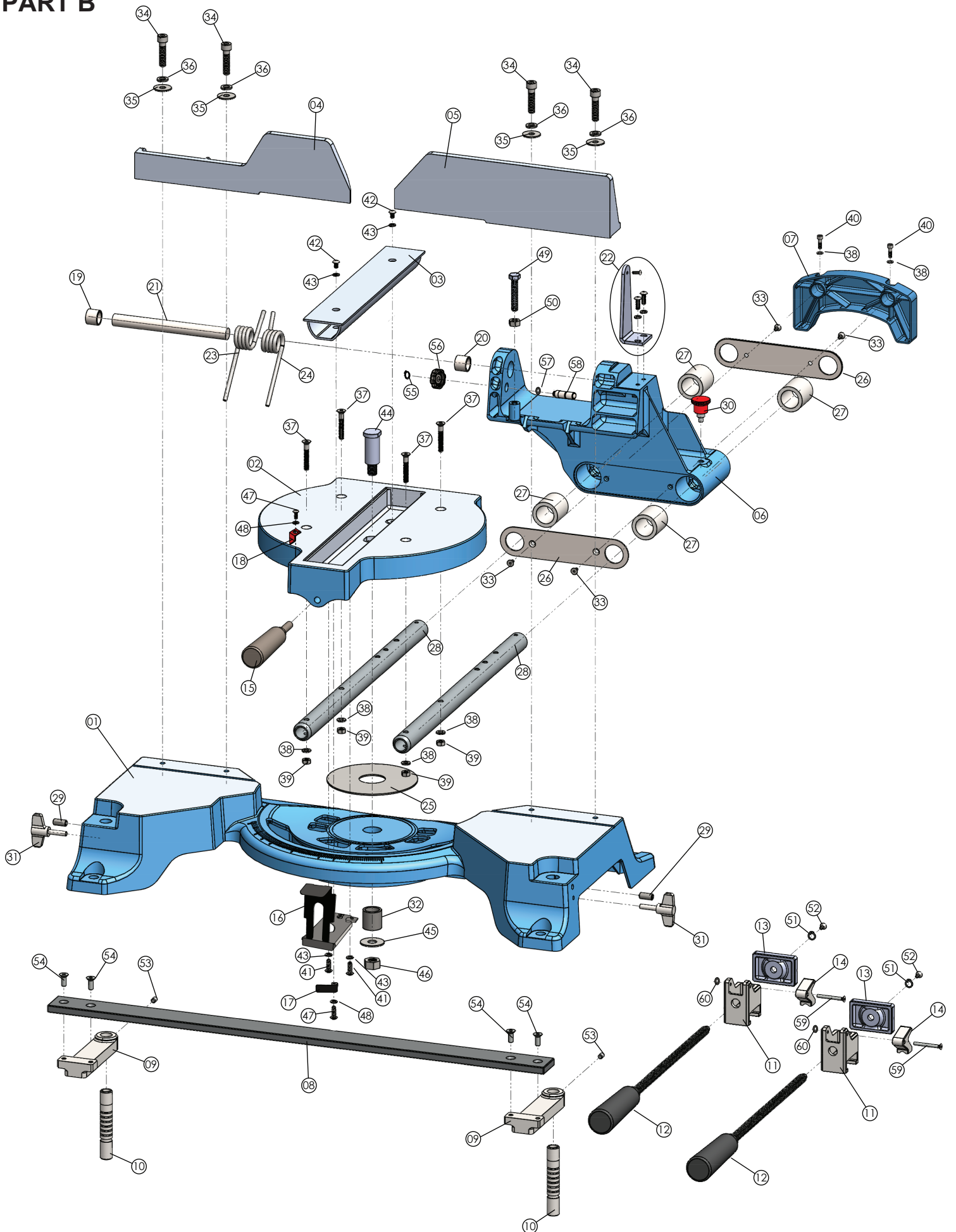
Premium Super Dry Miter Cutter 9414

PART A



Premium Super Dry Miter Cutter 9414

PART B



PART A

ITEM	PART NO	Q'T	PART NAME	
1--5	2104004SET	1	Flange set : 1 x Hex.Socket Hd. Screw, 1x Spring Washer, 1 x Flat Washer, 2x Flange	
6	2203420	1	Retaining Ring	C-42
7	1501170	1	Safety Cover Set	
8	1501177	2	Supporting Set	133.) 1501177SET
9	2412007-1	1	Pan Hd. Screw	M4×7
10	2207148	1	Tension Spring	Ø0.7* Ø6*100
13	2413035	4	Pan Hd. Screw	M5×35
14	2222050	4	Spring Washer	Ø5
16	1501163	1	Blade Cover	
17	2106580	1	Support Pin	
18	1209641	1	Arm Lock Plate	
19	1606179	1	Rubber	
20	2207147	1	Tension Spring	
21	1114012	1	Power Supply Cord With Plug	(115V) US Version
21	1106002	1	Power Supply Cord With Plug	(230V)
22	1604242	1	Cord Guard	(230V) / (115V)
23	2493020	2	Tapping Screw	TS5×20
24	1209352	2	Flat Washer	Ø5×Ø14
25	2205043	1	Crescent Ring	C-8 138.) 2106593SET
26	2207151	1	Spring	138.) 2106593SET
27	2452016	2	Hex.Socket Hd. Screw	M4×16
28	1604351	1	Handle Cover	
29	3005179	1	Gear Housing	
30	2442010	1	Hex. Socket No Hd. Screw	M4×10
31	0605012	1	Ball Bearing	6202LUZ
32	1803090	1	Armature Assembly	(115V)
32	1804090	1	Armature Assembly	(230V)
33	1201042	1	Fan Guide	Ø70x11
34	2493080	2	Tapping Screw	TS5×80
35	1001126	1	Field Assembly	(115V)
35	1002126	1	Field Assembly	(230V)
36	0602010	1	Ball Bearing	6200-ZZ
38	1607103	1	Motor Housing	
39	2223050	4	Flat Washer	Ø5
40	2222050	4	Spring Washer	Ø5
41	2413030	4	Pan. Hd. Screw	M5×30
42	1604340	1	Rear cover	98×112×56
43	2492018	2	Tapping Screw	TS4×18
44	0901038-2	1	Carbon Brush SET (2 Pieces)	
45	0903059	2	Carbon Brush Holder	134.) 0903059SET
46	2492012	4	Tapping Screw	TS4×12 134.) 0903059SET
47	0904006	2	Spring	134.) 0903059SET
48	2422010	3	Counter Sunk Hd. Screw	M4×10
49	2106372-1	1	Safety Cover Guide	Ø42×Ø36×19.5
50	0606064	1	Ball Bearing	6204-LU
51	3004077	1	Front Cover	(230V)
52	0601010	1	Ball Bearing	6200-Z
53	2202050	1	Square Key	
54	1906043	1	Gear Shaft	(230V) RPM1300
55	1905079	1	Gear	
56	2203180	1	Retaining Ring	C-18
57	0601005	1	Ball Bearing	6000Z
58	2202052	1	Square Key	5×5×12
59	2004122	1	Spindle	Ø26×Ø21×104.2
60	1905145	1	Gear	(230V) RPM1300
61	2203210	1	Retaining Ring	C-21
62	0601010	1	Ball Bearing	6200-Z
63/64	1601048-1S	1	Switch Handle	(230V) 15.) 1601048-1SET
65	0704097	1	Switch	(230V) 136.) 0704097SET
66	1604018	1	Strain Relief	
67	2492010	1	Tapping Screw	TS4×10 136.) 0704097SET
68	2492014	2	Tapping Screw	TS4×14
69	2492028	2	Tapping Screw	TS4×28 15.) 1601048-1SET

70	2492016	2	Tapping Screw	TS4×16	15.) 1601048-1SET
71	1604077 N	1	Protection Plate	145×129×40	37.) 1604077NSET
72	2106593	1	Stopper		138.) 2106593SET
74	2223040	3	Flat Washer	Ø4	37.) 1604077NSET
75	2222040	3	Spring Washer	Ø4	37.) 1604077NSET
76	2412012	3	Pan Hd. Screw	M4×12	37.) 1604077NSET
127	2106419	2	HEX. NUT	φ34.6x6	133.) 1501177SET
128	2106594	1	Sleeve		138.) 2106593SET

SETS					
133.)	1501177SET	1	2x Supporting Set (8) / 2x Hex Nut (127)		
134.)	0903059SET	1	2x Carbon Brush Holder (45) / 4x Tapping Screw (46) / 2x Spring		
135.)	1601048-1SE	1	Switch Handle (63/64) / 2x Tapping Screw (69) / 2x Tapping Screw		
136.)	0704097SET	1	Switch (65) / Tapping Screw (67)		
137.)	1604077NSET	1	Protection Plate (71) / 3x Flat Washer (74) / 3x Spring Washer (75)		
138.)	2106593SET	1	Crescent Ring (25) / Spring (26) / Stopper (72) / Sleeve (128)		

PART B					
ITEM	PART NO	Q'T	PART NAME		
1	9414-001	1	Base		
2	9414-002	1	Disc		
3	9414-003	1	Disc Inlay		
4	9414-004	1	Fence left		
5	9414-005	1	Fence right		
6	9414-006	1	Adapter		
7	9414-007	1	Endcap		
8	9414-008	1	Clamping Bar		
9	9414-009	2	Clamping Adapter		
10	9414-010	2	Clamping Pipe		
11	9414-011	2	Clamping Slider		61.) 9414-011SET
12	9414-012	2	Clamping Rod		
13	9414-013	2	Clamping Jaw		62.) 9414-013SET
14	9414-014	2	Clamplng Lever		61.) 9414-011SET
15	F1602006	1	Side Handle		
16	1501200	1	Detent Plate		
17	1209489	1	Back-up Plate		
18	1209496	1	Indicate Plate		
19	2106448	1	Axle Sleeve	Ø16×Ø22×16	
20	2106450	1	Axle Sleeve	Ø16×Ø20×16	
21	2106586	1	Swing Shaft		
22	1209499SET	1	Rock Seat Set with 2x Pan Hd. Screw / 2x Spring Washer / Screw		
23/24	2207140SET	1	Torsion Spring set - left and right		
25	9414-025	1	Disc Washer		
26	9414-026	2	Adapter Bearing Plate		
27	9414-027	4	Adapter Bearing		
28	9414-028	2	Guiding Rod		
29	9414-029	1	Spring Pin		
30	9414-030	2	Locking Pin		
31	9414-031	2	Wing Bolt		
32	2106492	1	Bushing		
33	9414-033	4	Countersunk Screw	M4x10	
34	9414-034	4	Socket Head Screw	M8x45	
35	9414-035	4	Washer	M8	
36	9414-036	4	Spring Washer	M8	
37	9414-037	4	Countersunk Screw	M6x40	
38	9414-038	6	Washer	M6	
39	9414-039	4	Nut	M6	
40	9414-040	2	Socket Head Screw	M6x20	
41	2413015	2	Pan Head Screw	M5x15	
42	2413008	2	⊕Pan Hd. Screw	M5×8	
43	2222050	4	Spring Washer	M5	
44	2106478	1	Shaft		
45	1209543	1	Flat Washer	Ø32×12	
46	3306012	1	Hex Nut With Plastic Insert	M12	
47	2412010	1	Pan Hd. Screw	M4×10	

48	2222040	1	Spring Washer	∅ 4	
49	2476045	1	Hex. Hd. Screw	M8x45	
50	3301008	1	Hex. Nut	M8	
51	9414-051	2	Circlip	D8	62.) 9414-013SET
52	9414-052	2	Pan Head Screw		62.) 9414-013SET
53	9414-053	2	Grubscrew	M6x8	
54	9414-054	4	Countersunk Screw	M6x16	
Stopper Set:					
55-58	2106583SET	1	Retaining Ring (55) / Stopper Handle (56) / O Ring ∅1.5x∅8.5x ∅11.5 (57) / Stopper (58)		
59	9414-059	2	Pan Head Screw	M4	61.) 9414-011SET
60	9414-060	2	Hex. Nut	M4	61.) 9414-011SET
SETS					
61.)	9414-011SET	2	Clamping Slider (11) / Clamping Lever (14) / Pan Head Screw (59) / Hex. Nut (60)		
62.)	9414-013SET	2	Clamping Jaw (13) / Circlip (51) / Pan Head Screw (52)		